



OPS-WHT-15905

SPECIFICATION DATA SHEET

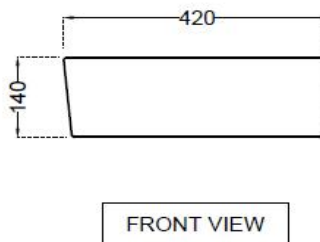
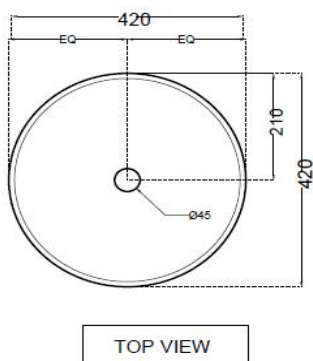
PRODUCT DETAILS

Manufacturer :	Jaquar	Type:	Table top basin	
Range	Opal	Colour:	White	
Outlet	Horizontal	Material:	Ceramic - Vitreous China	
Technical Details:	ID of waste outlet hole 45 ϕ +2 -1 mm		BOM doc.NO.	JSW/01/2018/0116
	Horizontal distance between bowl edges and the center line of the waste outlet hole \leq 210 mm			

ARTICLE NAME: TABLE TOP BASIN



TECHNICAL DIMENSIONS



ALL DIMENSIONS ARE IN MM.
(TOLERANCE \pm 5 MM)

PRODUCT DIMENSIONS

Length (mm)	Width (mm)	Height (mm)	Net weight (kg)
420	420	140	7.65

USP

Round shape thin rim, Anti germ glaze

CARE AND CLEANING GUIDELINES

- ★ Vitreous china sanitary ware products are fragile in nature and need to be handled with care (to avoid personal injury) at all times during its storage, handling, installation and use thereafter.
- ★ The product is heavy and it is recommended that two persons hold it while it is being fixed.
- ★ Carefully inspect the new product for damage before installation.
- ★ Risk of product damage. Over tightening may cause breakage or chipping of vitreous china.
- ★ Risk of external leakage. Do not lift or rock the bowl after placement.
- ★ Always test your cleaning solution on an inconspicuous area on the product before applying it to the entire surface.
- ★ Do not allow cleaners to sit or soak on the product.
- ★ Use a soft, dampened sponge or cloth to clean. Never use abrasive material like a bristle brush or scouring pad.
- ★ Wipe surfaces clean and rinse completely with water immediately after applying cleaners.
- ★ Clean Chrome, stainless steel surfaces once a week. Do not use cleaners containing chloride on chrome, stainless steel. If used, rinse the surface immediately to prevent corrosion.
- ★ Wherever chrome plating is used on the products, use only warm water to clean and then dry with a soft cloth.

CERTIFICATION

Compliance : IS 2556.4:2004, IS 2556.1:1994, BS EN 14688 :2015

All technical dimensions are in accordance to British standards, Bureau of Indian Standards

PACKAGING DETAIL

Length (mm)	Width (mm)	Height (mm)	Gross Weight(kg)
450	170	460	8.55

LOADING PALLET DETAIL

Length (mm)	Width (mm)	Height (mm)	no of pieces on pallet
1140	1140	2285	52



Prepared By Designer Date	Controlled By Quality control	Verified By Product Manager	Approved By Sanitaryware Head
Revision/Version	1	Plotter Updated on	Month
		10-Jul	Year
			2018