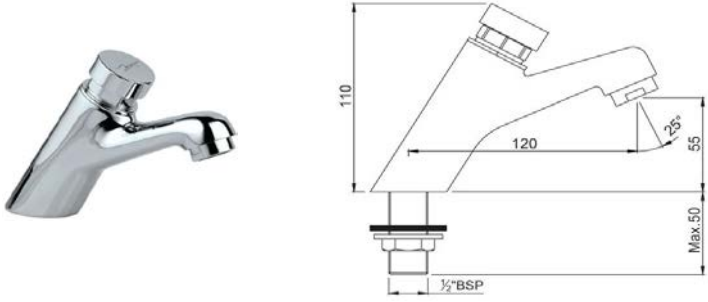


Technical Data

<p>Jaquar Products</p>	
<p>Product Code</p>	<p>PRS-CHR-031</p>
<p>Description</p>	<p>Non-concussive Basin Tap</p>
<p>Flow Rate</p>	<p>16.72LPM @ 3 bar</p>
<p>Flow regulator</p>	<p>By using flow regulators (Product should be ordered with suffix as G-2.5LPM, GA-6.0LPM, GB-8.0LPM, GC-13.0LPM, GD-3.8LPM & GE-1.3LPM @ 3.0 Bar pressure) one can regulate the flow rate.</p>
<p>Recommended Water Pressure</p>	<p>0.2 Bar - 4.0 Bar</p>
<p>Brass Specification in Percentage</p>	<p>Brass Ingots as per IS:1264-1997 Cu (58.0-63.0), Sn (0.0-1.0), Pb (0.5-2.5), Ni (0.0-1.0), Al (0.2-0.8), Mn (0.0-0.5), Total Impurity (0.0-2.0), Zn (Reminder)</p> <p>Brass Rod as per IS:319-1989 Cu (56.0-59.0), Pb (2.0-3.5), Fe (0.0-0.35), Total Impurity (0.0-0.7), Zn (Reminder)</p>
<p>Cartridge Specification</p>	<p>Fittings : Hydro-mechanical activation, light manual pressure and with automatic timed closure Actuation time : 7 Sec (average) Maximum water temperature: 70°C Life Cycle EN 816: 210,000 cycles (with static pressure 4±0.5 bar) cartridge complies with this requirement.</p>
<p>Finish</p>	<p>Plating: Nickel-10.0 micron Chromium-0.3 micron Salt Spray(500 hrs + Validated) Adhesion(Pass)</p>
<p>Aerator Size</p>	<p>WRAS, ACS Approved (24X1)</p>
<p>Available Colour Finishing</p>	<p>CHROME (CHR)</p>

DISCLAIMER: Our every effort has been made to ensure factual accuracy, the information presented subject to changes due to requirements in different sites, markets and/ or countries. 10% variation in flow rate may be possible. Jaquar reserves the right to make the necessary amendments at any time without prior notice.