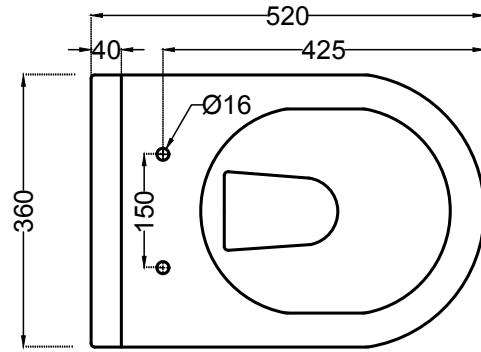
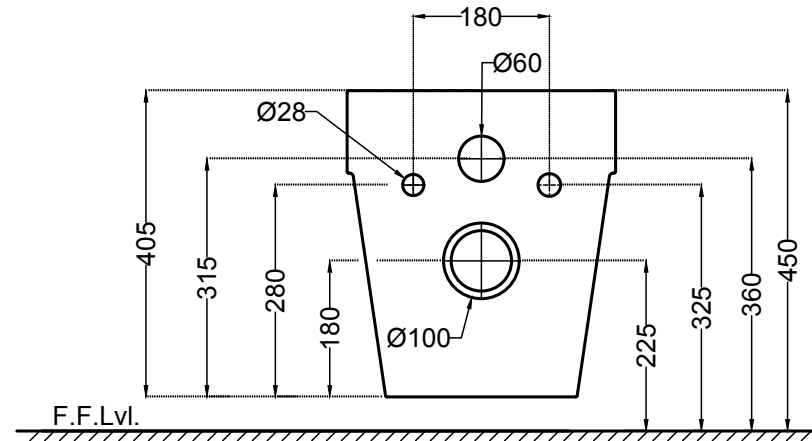


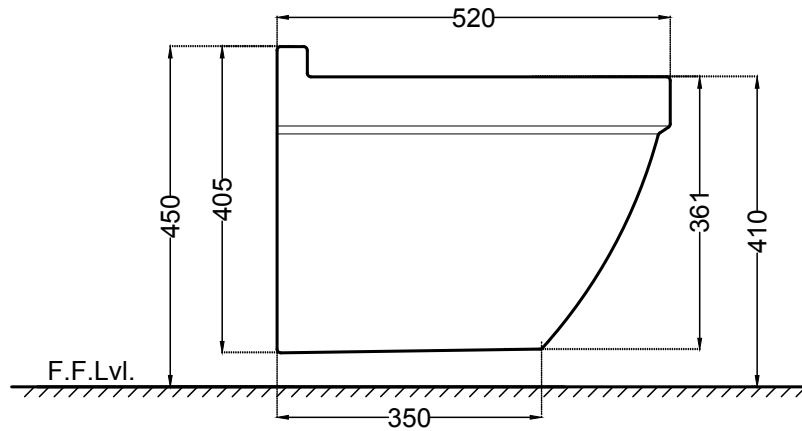
SLS-WHT-6953UFBI



TOP VIEW



BACK VIEW



SIDE VIEW

ALL DIMENSIONS ARE IN MM.
(TOLERANCE ± 5 MM)