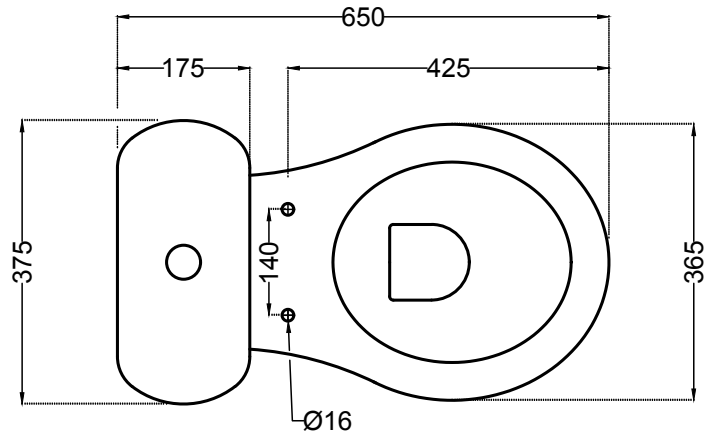
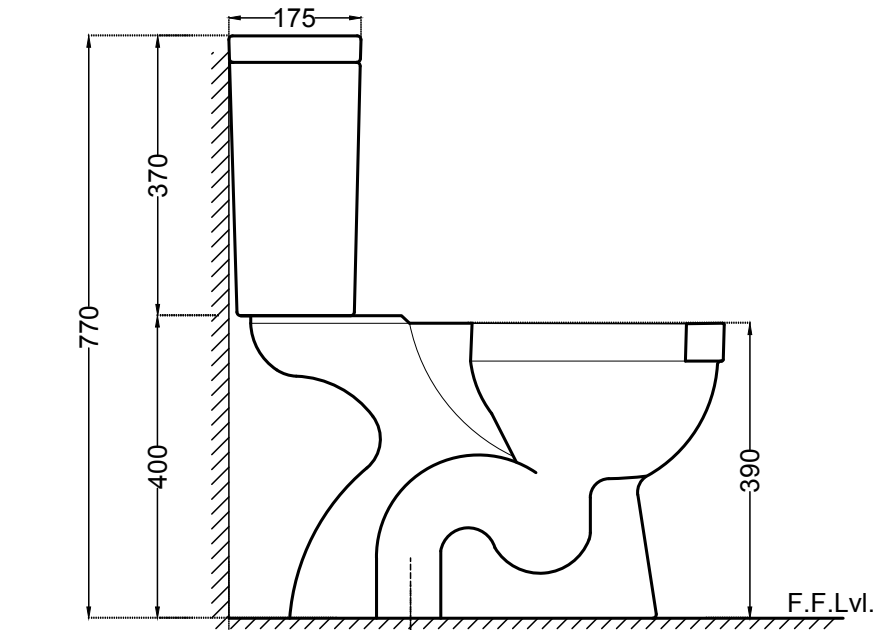


SLS-WHT-6751S+SLS-WHT-6201



TOP VIEW



S-TRAP 220

SIDE VIEW

ALL DIMENSIONS ARE IN MM.
(TOLERANCE ± 5 MM)