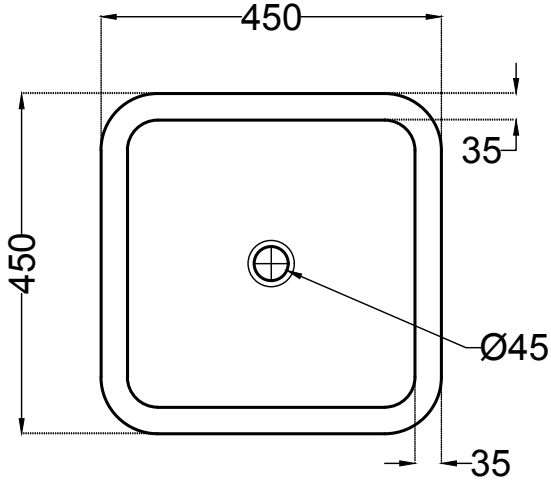
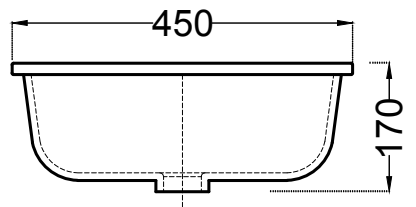


LAS-WHT-91701



TOP VIEW



FRONT VIEW

ALL DIMENSIONS ARE IN MM.
(TOLERANCE ± 5 MM)